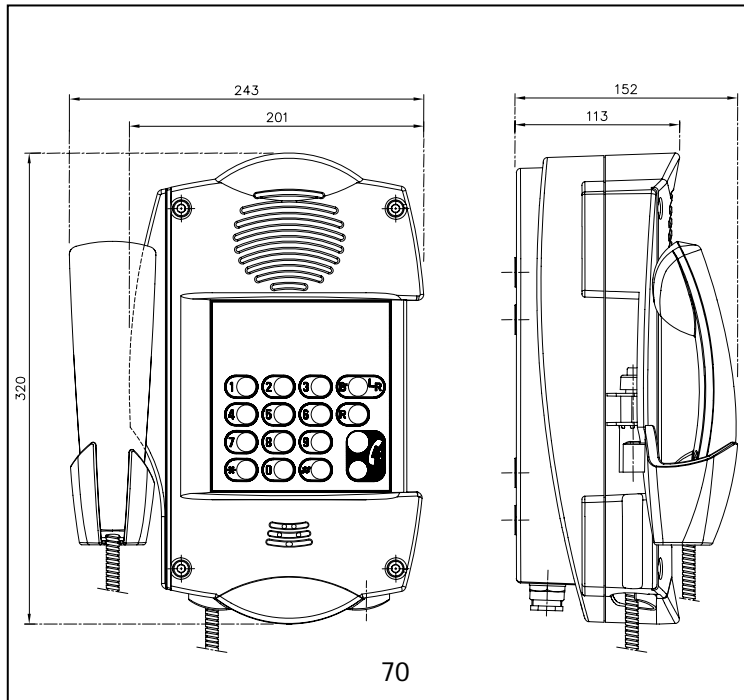


**TELEPHONES LE LAS**

Tel: ..... (33) 1 48766262  
 Fax: ..... (33) 1 48768304  
 E-mail: ..... lelas@wanadoo.fr  
 Web-site: ..... [www.lelas.fr](http://www.lelas.fr)

Weather proof IP65 telephone  
 for wall mounting, indoor or outdoor, for the locale  
 industrial and noisy

**TLA 402 E1A**

**Electrical Characteristics:**

Direct current supply:	12 to 48 Vdc
Consumption:	< 30mA
Ringing voltage:	35 – 90 Va
Dialling:	DTMF / decimal
Flashing/earth:	adjustable
Electronic Bell:	90dB at 1 m.
Visual calling signal :	On require
LCD:	On require
Noise cancelling:	noise cancelling circuit
Hook:	magnetic
Conversation Mode:	By handset

**Others:**

CCITT Q23

**Additional functions (options)**

- Flashing light
- Telecommand
- Handsfree type

Body material / Colo:.....Polyester plastic / RAL2003  
 Handset material / color : ..... Polyester plastic / Black  
 Handset cord:.....stainless steel (INOX) 100kg resistance  
 Loudspeaker/microphone:.....vandal resistant /5W  
 Mounting:.....on wall  
 Termination:.....Inside screw connections  
 Dimensions: : ..... 201 X 320 X 113 mm  
 Weight:.....2,3 kg  
 IP-rating:.....IP65(\*)  
 Max. / min. amb. Temp:.....-40 °C / + 60°C  
 Maintenance:  
 all circuits and control devices are fixed on the easy removable  
 front plate for a very quick substitution of equipment in field

(\*)IP66 as demand


**Installation, Operation and Maintenance Procedures**

- Open the pivoting front panel removing the three screws.
- Pass the cables through the cableglands being sure that the cable fit with the rubber gasket
- Connect the telephone wires at the screw terminals as indicated in the operator's book
- Make a functional test calling another extension and asking to be re-called
- Adjust the volume of the bell (see operator's book)
- Adjust the sensitivity of the microphone (see operator's book)
- Close the front panel paying attention to the position of the gaskets

This equipment is supplied with a 2 year warranty against defective workmanship

