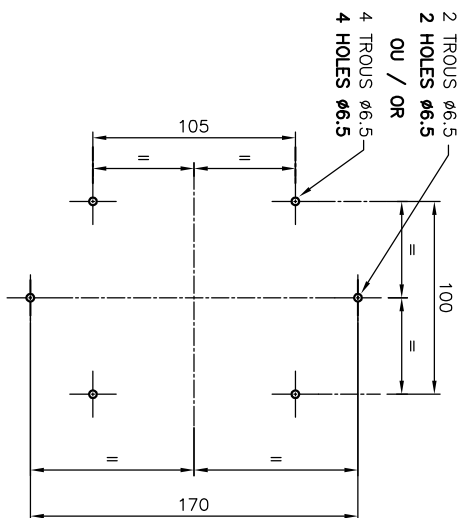


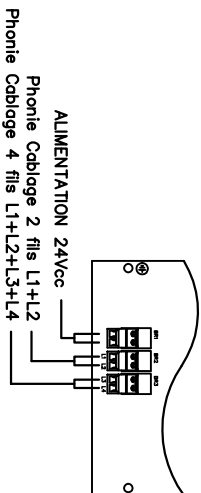
FIXATION INTERIEURE

DRILLING FOR MOUNTING FROM INSIDE

2 MODES DE FIXATION / 2 FIXING METHODS



**RACCORDEMENT
CONNEXION**



- LEGENDE DES SYMBOLES
DU CLAVIER**
- LEGEND OF THE KEYBOARD'S SYMBOLS**
- ◆ APPEL GENERAL - GENERAL CALL
 - ☞ PAROLE ECOUTE - TO TALK / TO LISTEN
 - CONFERENCE - CONFERENCE
 - ➔ ANNULLATION - CANCELLATION

DESCRIPTION

CARTER CONSTITUE D'UNE BOITE ET D'UN COUVERCLE EN PC CHARGE FIBRE DE VERRE, DE TEINTE ORANGE RAL2003 LA FERMETURE DU COUVERCLE, SUR JOINT D'ETANCHEITE EST ASSUREE PAR 4 VIS EN INOX IMPERDABLE. CE TELEPHONE COMPREND:

- 1 - HAUT PARLEUR ETANCHE 5W CE124V11
- 1 - MICRO A ELECTRET CE515V2
- 1 - CARTE INTERPHONE WK119U3
- 1 - CARTE BOUTON + LED WK163CL9G
- 1 - SACHET COMPRENANT LES ENTREES DE CABLE GM208A23
- 2 ENTREES DE CABLE POUR CABLE Ø5 MINI A 12 MAXI PEP13CS*12
- 1 BOUCHON D'OBTURATION BFO34DP8

OPTIONS - COMBINE ETANCHE AVEC BERCEAU ORIENTABLE
- CARTE FEU FLASH

REFERENCE: TLH402EG3
POIDS: 1.5 Kg

INDIC DE PROTECTION IP: IP66

DESCRIPTION:

WEATHERPROOF WALL MOUNTING MASTER STATION TYPE (IP66) COMPRISING THE FRONT COVER IS CLOSES TO A WEATHERPROOF SEAL VIA 4 CAPTIVE STAINLESS STEEL SCREWS.

- 1 - 5W WEATHERPROOF LOUDSPEAKER CE124V11
- 1 - MICROPHONE CE515V2
- 1 - MOTHER BOARD UN12G WK119U3
- 1 - BUTTON CARD WITH LED WK163CL9G
- 1 - CABLE ENTRIES GM208A23
- 2 CABLE ENTRIES FOR CABLE Ø5 MINI TO 12 MAXI PEP13CS*12
- 1 STOPPING PLUG BFO34DP8

OPTIONS - WEATHERPROOF HANDSET
- FLASHING BEACON

REFERENCE: TLH402EG3
WEIGHT: 1.5 Kg

DEGREE OF PROTECTION: IP66

CONSTRUCTEUR Manufacturer		LE LAS 34/36 R. Roger SALENGRO F94134 FONTENAY/BOIS	
MATIERE:		EXECUTION:	
POSTE CHEF ETANCHE UNI3G TYPE MURAL / HP 5W / 24VCC		Echelle	Tiroir Plan
WEATHERPROOF MASTER STATION / IP65		1/2	40
HANDS FREE - 1 PUSH BUTTON		Tiroir disk	402E-ENC
		Rev.	
		TLH9402EG3_A	
03/12/13	A	E	REVISIONS
DATES	REV.	ETABLI	MODIFICATIONS
Date	Rev.	Prepared	Revisions
			EMISSIION/Initial issue
			VERIFIE
			APPROUVE
			Checked
			Approved