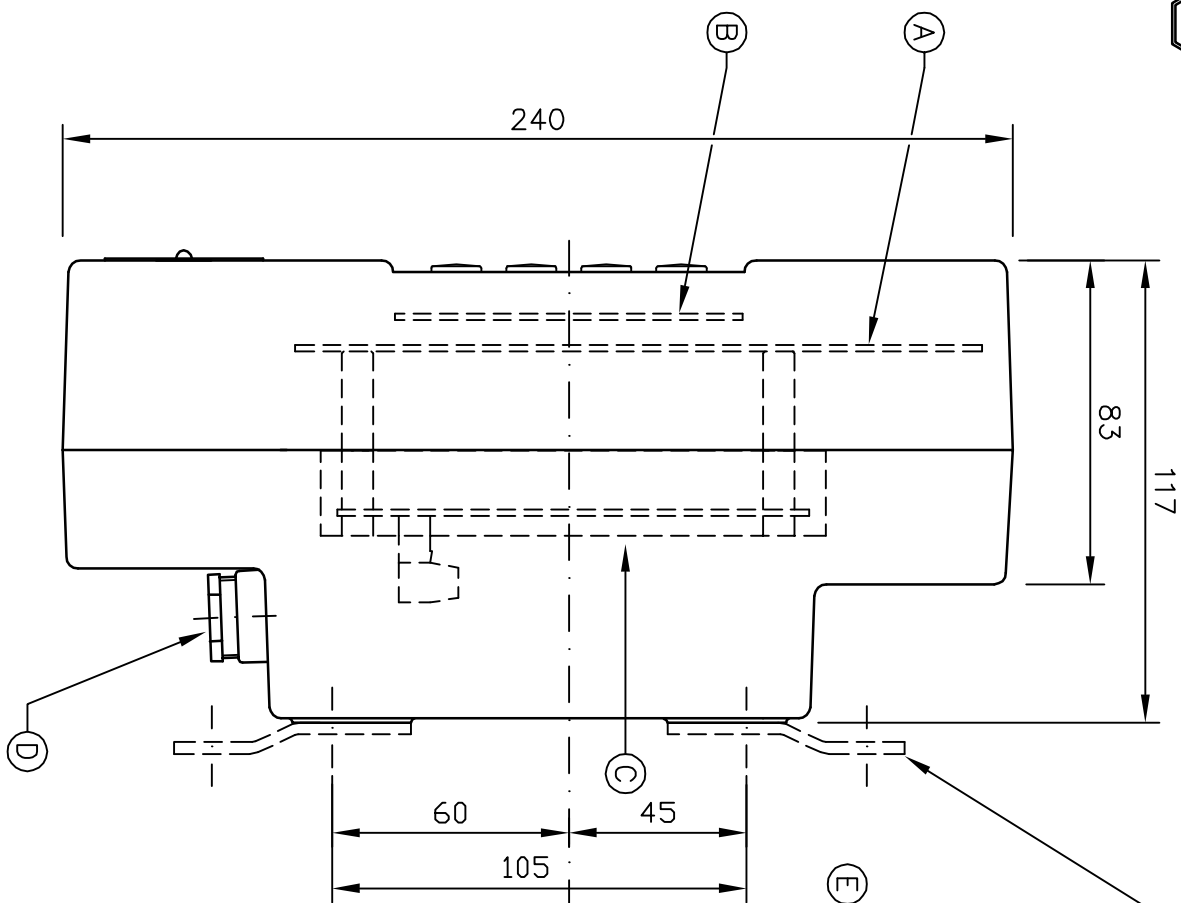
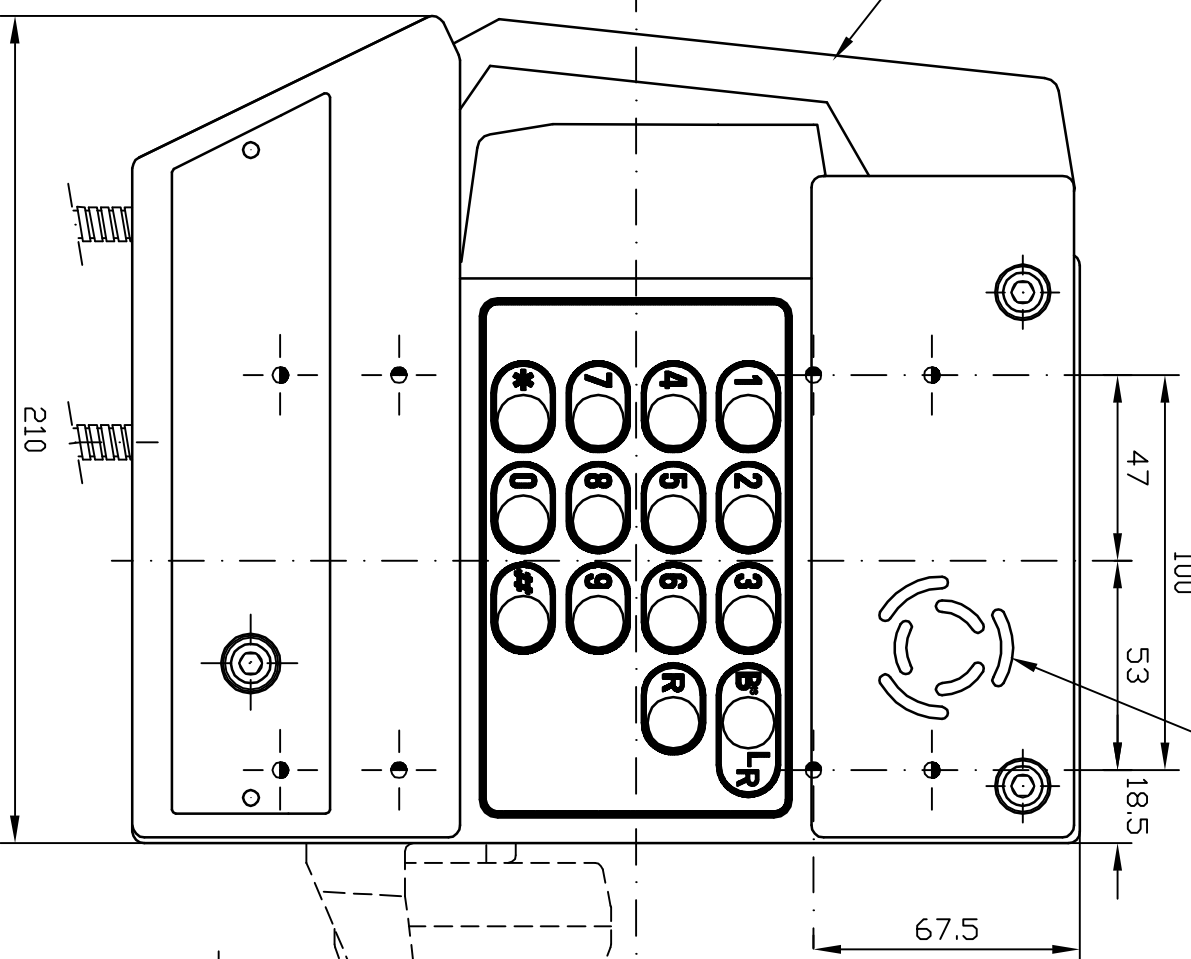




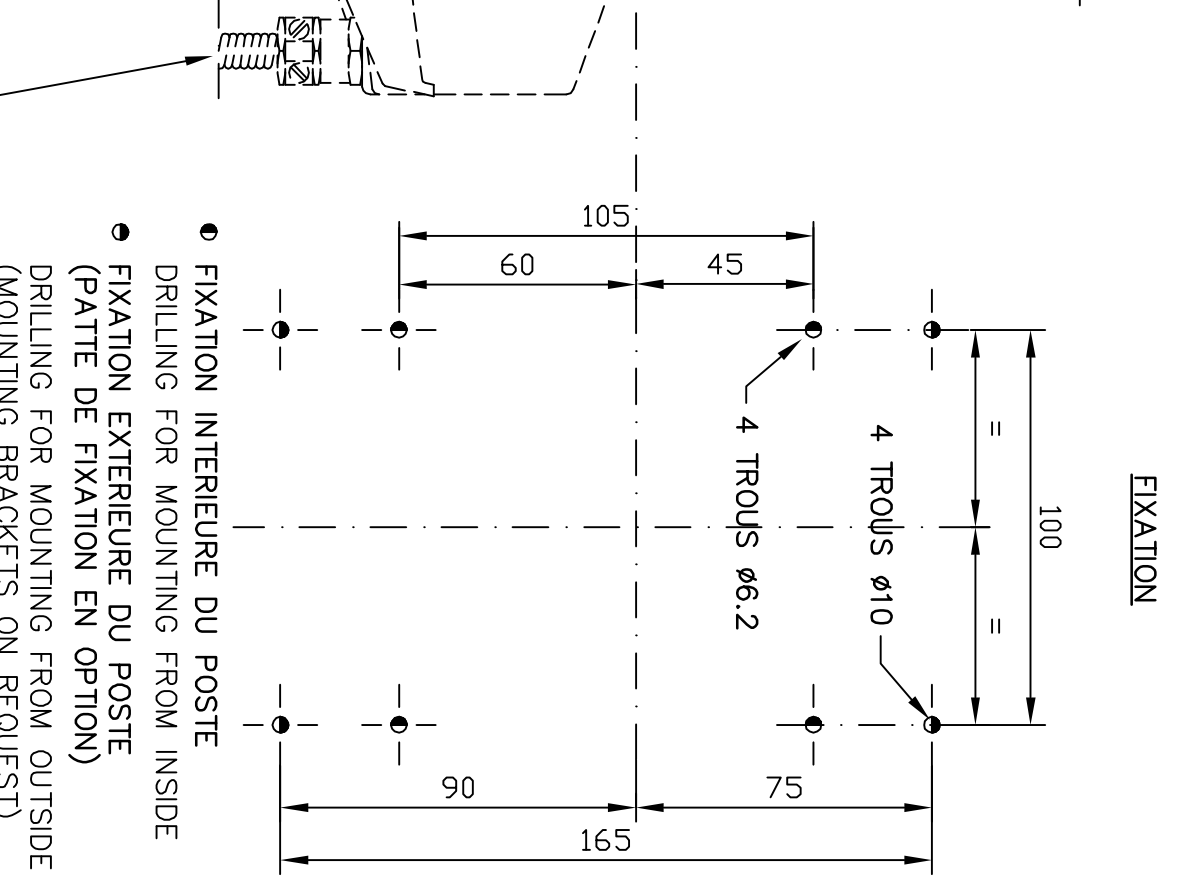
ATEX



PATTE DE FIXATION EN OPTION
MOUNTING BRACKETS ON REQUEST
REF: GM337E2



HURLEUR PIEZO
PIEZO HOWLER



FIXATION

SECOND RECEPTEUR EN OPTION
EXTRA RECEIVER ON REQUEST
REF: MS535A2A

- FIXATION INTERIEURE DU POSTE
DRILLING FOR MOUNTING FROM INSIDE
- FIXATION EXTERIEURE DU POSTE
(PATTE DE FIXATION EN OPTION)
DRILLING FOR MOUNTING FROM OUTSIDE
(MOUNTING BRACKETS ON REQUEST)

DESCRIPTION

CARTER CONSTITUE D'UNE BOITE ET D'UN COUVERCLE EN METAL LEGER PROTEGE PAR UNE PEINTURE EPOXY. LA FERMETURE DU COUVERCLE, SUR JOINT D'ETANCHEITE EST ASSUREE PAR TROIS VIS EN INOX.

- Ⓐ CARTE TELEPHONE DC/MF WK205CMA1ATX
- Ⓑ CARTE CLAVIER 15 TOUCHES + LED WK092CMA1
- Ⓒ CARTE DE PROTECTION ENROBEE WK098PLIATX
- Ⓓ 2 ENTREES DE CABLE EEX POUR CABLE Ø10 MINI A 13 MAXI EEL13C10*13ATX
- Ⓔ COMBINE EN METAL LEGER MS436A13

POIDS NET: 4.2Kg POIDS BRUT: 4.5Kg

REFERENCE: TLA227A1AA

DESCRIPTION

ENCLOSURE IN LIGHT ALLOY THE COVER IS FIXED TO THE BOTTOM CASE VIA 3 STAINLESS STEEL SCREWS. FINISH WITH EPOXY PAINT.

- Ⓐ TELEPHONE PCB DC/DTMF WK205CMA1ATX
- Ⓑ KEYBOARD PCB WITH 15-PUSH BUTTONS WITH LED WK092CMA1
- Ⓒ COATED PCB WK098PLIATX
- Ⓓ 2 EEX CABLE GLANDS FOR CABLE Ø10 to 13mm EEL13C10*13ATX
- Ⓔ LIGHT ALLOY COMPLETE HANDSET WITH ARMORED CORD MS436A13

WEIGHT NET: 4.2Kg GROSS WEIGHT: 4.5Kg

REFERENCE: TLA227A1AA

CONSTRUCTEUR Manufacturer **LE LAS** 99 RUE ALEXANDRE FOURNY 94500 CHAMPIGNY SUR MARNE

MATIERE: EXECUTION:

TELEPHONE A CLAVIER ATEX - II2GD
FLAMEPROOF TELEPHONE WITH KEYBOARD - II2GD
Ex e ib mb IIC T5 Gb
Ex ib tb IIIC T100°C Db IP65
Tamb: -40°C < Ta < +60°C

Echelle 1/2 Tiroir 40 Plan 227A-ENC Tiroir disk 227A-ENC Planche

Rev. TLA227A1AA, D

DATES Dates	REV. Rev.	ETABL. Prepared	MODIFICATIONS Revisions	VERIFIE Checked	APPROUVE Approved
15/03/13	D	H. F.	MISE A JOUR PLAN MARQUAGE.		
24/03/99	C	H. F.	MISE A JOUR PLAQUE SIG.		
02/4/98	B	H. F.	ROTAT. USINE. PIEZO		
19/12/97	A	H. F.	1ere EMISSION/Initial Issue		