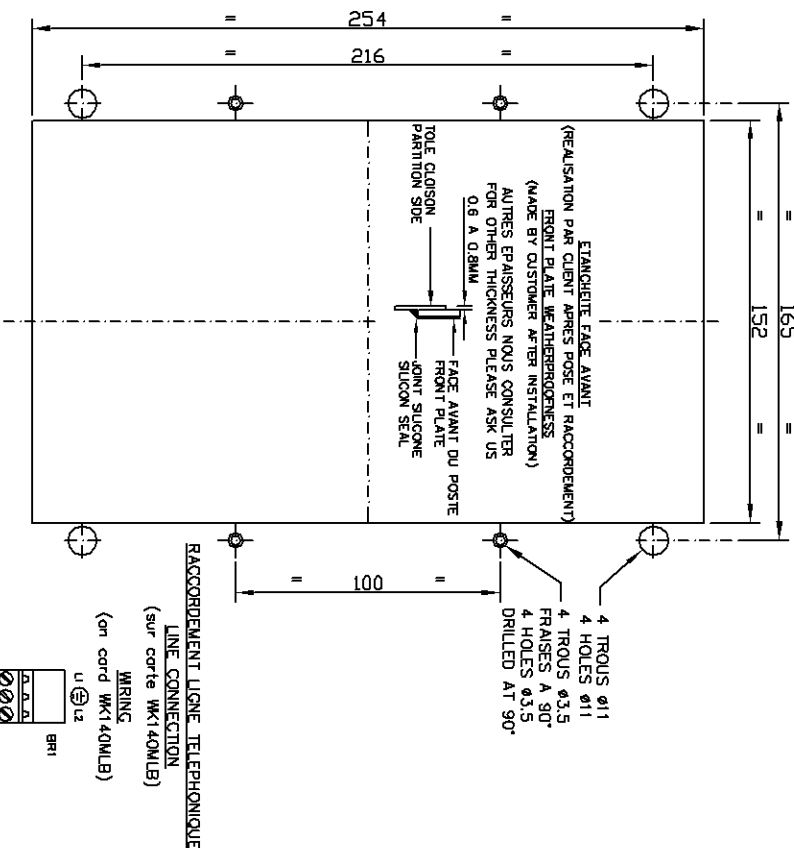


PLAN DE DECOUPE
CUT-OUT DRAWING

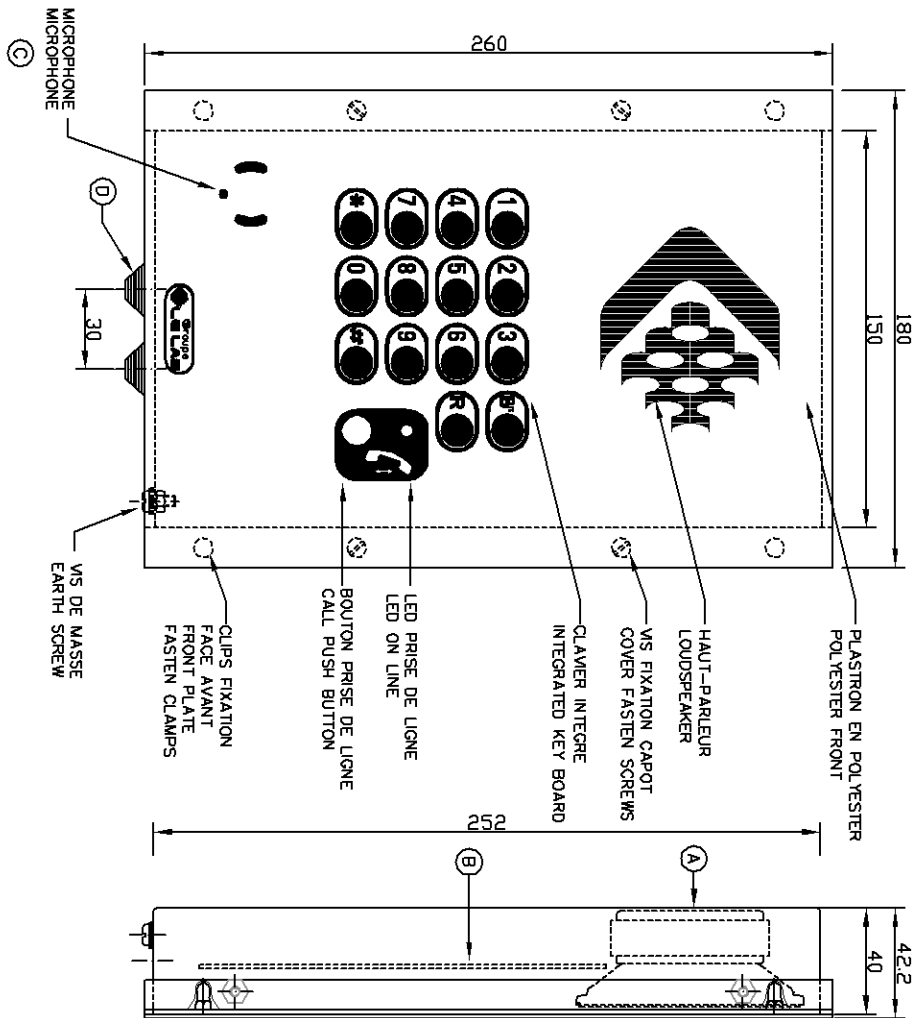


DESCRIPTION:
AGB TYPE FLUSH FITTING TELEPHONE SET WITH WEATHERPROOF FACE-PLATE (IP65) COMPRISING A PAINTED STEEL BACKING CASE AND A STAINLESS STEEL FACE PLATE WITH AN INTEGRATED KEY BOARD SELF ADHESIVE FRONT. THE FACE PLATE IS FASTENED BY FOUR CLAMPS.

- (A) SW/50 OHMS LOUDSPEAKER CE124V11
- (B) TELEPHONE BOARD WK140MLB
- (C) ELECTRET MICROPHONE CE515V2
- (D) 2 CABLE ENTRIES, ON LOWER SIDE CM427V2A
(TO MATCH Ø3/20.5mm CABLE)

REFERENCE: TLS290S1CL

CIRCUIT DIAGRAM: SP140MLB



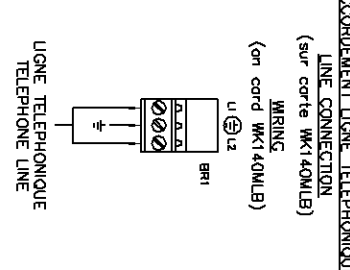
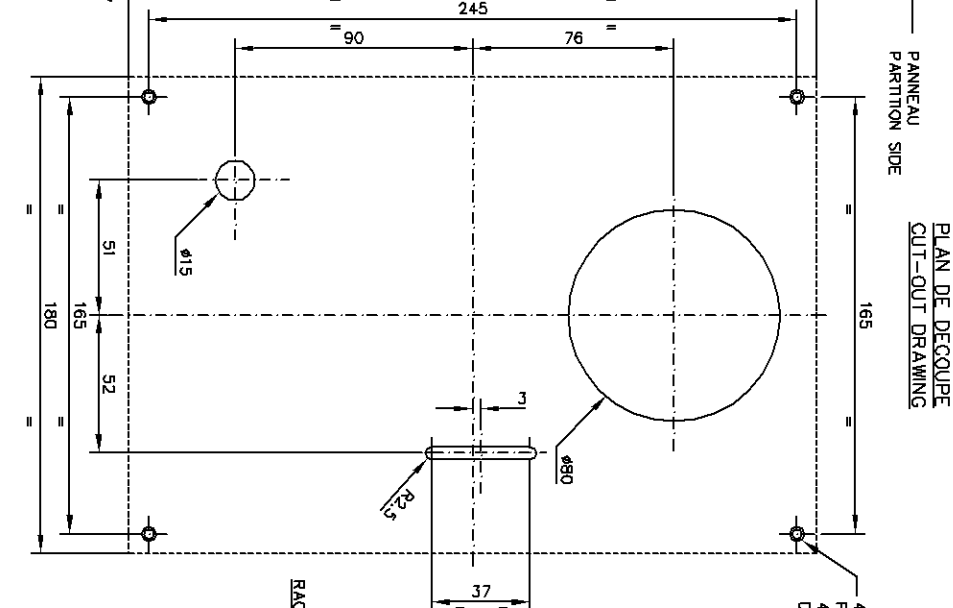
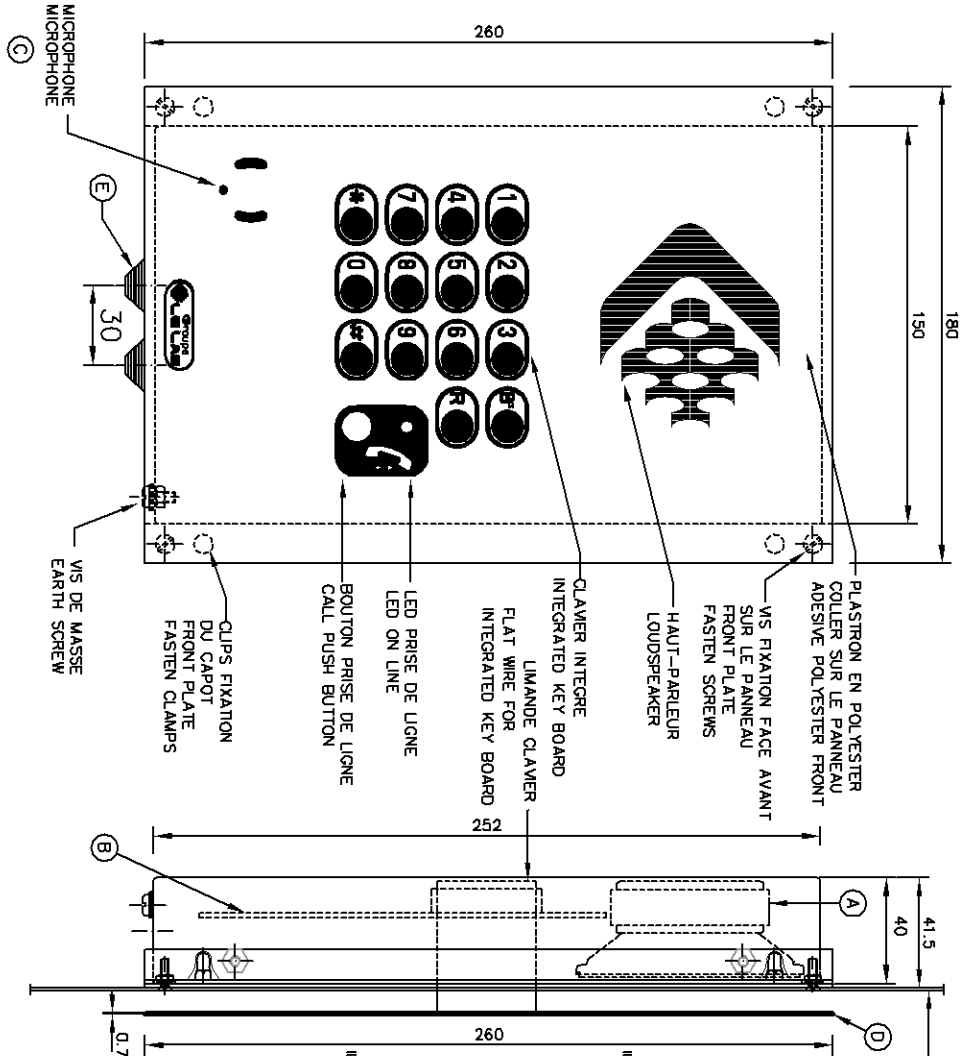
DESCRIPTION:
POSTE TELEPHONIQUE ENCASTRE ETANCHE EN FACE AVANT (IP65) TYPE BCA, COMPOSE D'UNE BOITE EN TOLE D'ACIER PEINT ET D'UNE FACE AVANT EN INOX AVEC PLASTRON AUTOCOLLANT EN POLYESTER SERIGRAPHIE ET CLAVIER INTEGRE. FERMETURE DU POSTE PAR CLIPSAGE DE LA FACE AVANT.

- (A) HAUT PARLEUR ETANCHE 5W/50 OHMS CE124V11
- (B) CARTE TELEPHONIQUE WK140MLB
- (C) MICROPHONE ELECTRET CE515V2
- (D) 2 PASSES FILS TYPE "TUBO CABLES" CM427V2A
(POUR CABLE DE Ø3 A 20.5mm)

REFERENCE: TLS250S1CL

SCHEMA DE BRINQUE: SP140MLB

CONSTRUCTEUR Manufacturer		LE LAS		34/36 R. Roger SALENGRO F94134 FONTENAY/BOIS	
MATIERE:		EXECUTION:		Echelle/Tirair Plan/Tirair disk/Planche 1/2 40 250S-ENC Rev.	
POSTE TELEPHONIQUE TYPE ENCASTRE MANS LIBRES A CLAVIER POUR SALLE BLANCHE				FLUSH FITTING WEATHERPROOF HANDS FREE TELEPHONE WITH KEYBOARD FOR CLEAN ROOM	
05/07/01	B	→	SUIVANT DM1723		
27/11/01	A	→	leve EMISSION/initial issue		
04/05/03	A	→	MODIFICATIONS	VERIFIÉ	APPROUVE
04/05/03	A	→	Revisions	Checked	Approved



DESCRIPTION:
 POSTE TELEPHONIQUE INTEGRABLE ETANCHE EN FACE AVANT (IP65) TYPE BCA, COMPOSE D'UNE BOITE EN TOLE D'ACIER PEINT ET D'UNE FACE AVANT EN INOX AVEC PLASTRON AUTOCOLLANT EN POLYESTER SERIGRAPHIE ET CLAVIER INTEGRE A COLLER SUR PANNEAU. FERMETURE DU POSTE PAR CLIPSAGE DU CAPOT.

- (A) HAUT PARLEUR ETANCHE 5W/50 OHMS CE124V11
- (B) CARTE TELEPHONIQUE WK140MLB
- (C) MICROPHONE ELECTRET CE515V2
- (D) PLASTRON AVEC CLAVIER AUTOCOLLANT 250S100
- (E) 2 PASSES FILS TYPE "TUBO CABLES" (POUR CABLE DE Ø3 ? 20.5mm) CM427V2A

REFERENCE: TLS250S1CLD SCHEMA DE BRINQUE: SP140MLB

DESCRIPTION:
 AGB TYPE INTEGRATED TELEPHONE SET WITH WEATHERPROOF FRONT-PLATE (IP65) COMPRISING A PAINTED STEEL BACKING CASE AND A STAINLESS STEEL FACE PLATE WITH AN SEPARATED INTEGRATED KEY BOARD SELF ADESIF FRONT TO BE GLUE ON PARTITION SIDE THE FACE PLATE IS FASTENED BY FOUR CASE BY FOUR CLAMPS SCREWS AND THE BAKING.

- (A) 5W/50 OHMS LOUDSPEAKER CE124V11
- (B) TELEPHONE BOARD WK140MLB
- (C) ELECTRET MICROPHONE CE515V2
- (D) ADESIF POLYESTER FRONT 250S100
- (E) 2 CABLE ENTRIES, ON LOWER SIDE (TO MATCH Ø3/20.5mm CABLE) CM427V2A

REFERENCE: TLS250S1CLD CIRCUIT DIAGRAM: SP140MLB

CONSTRUCTEUR Manufacturer **LE LAS** 34/36 R. Roger SALENGRO F94134 FONTENAY/BOIS

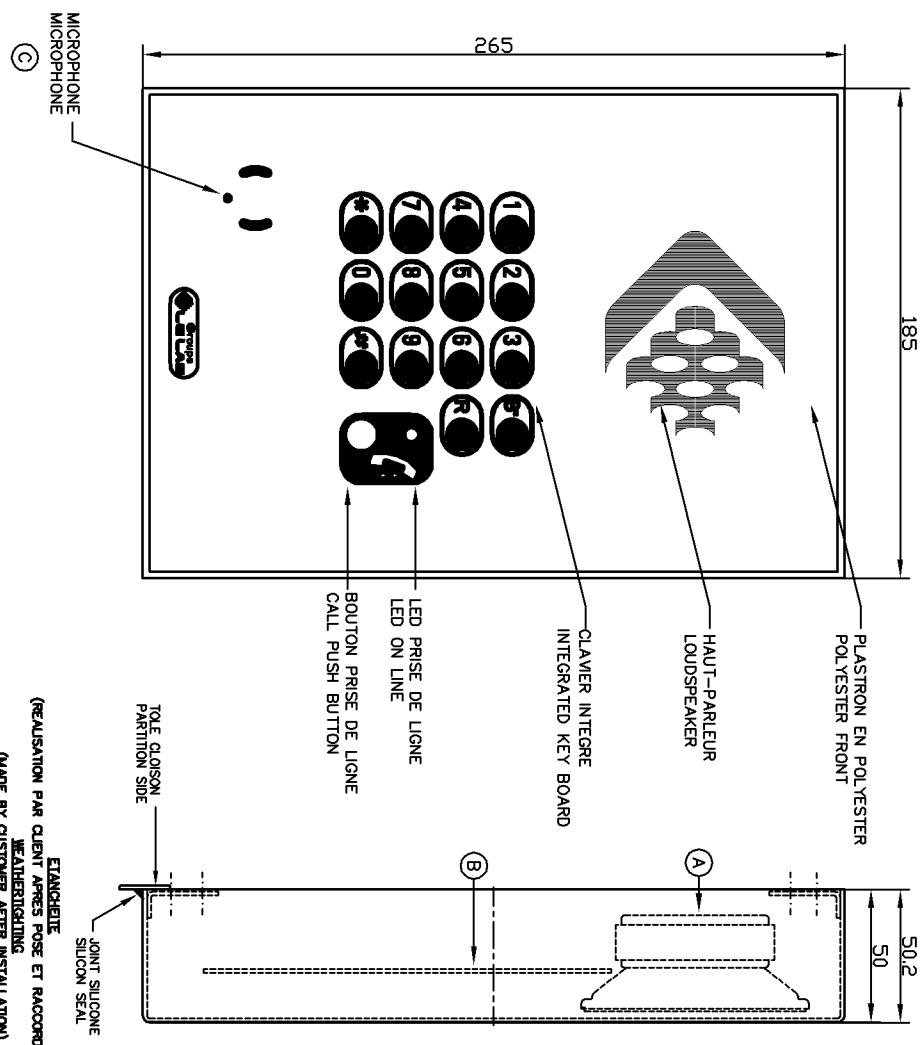
MATIERE: EXECUTION: Echelle/Tirair Plan/Tirair disk/Planche 1/2 40 250S-ENC

POSTE TELEPHONIQUE TYPE INTEGRABLE MAINS LIBRES A CLAVIER POUR SALLE BLANCHE

INTEGRATED WEATHERPROOF HANDS FREE TELEPHONE WITH KEYBOARD FOR CLEAN ROOM

TLS9250S1CLD

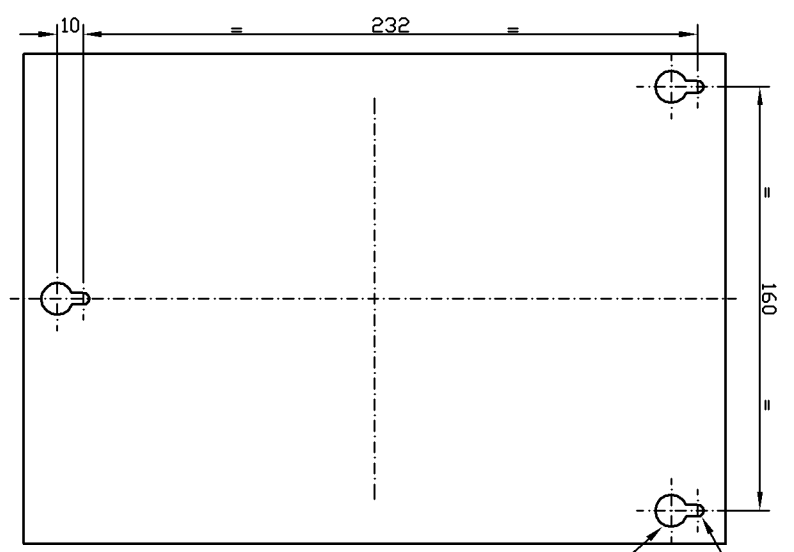
05/07/01	B	1	SUIVANT DM1723		
27/11/01	A	1	leve EMISSION/initial issue		
04/05/02	A	1	MODIFICATIONS Revisions	VERIFIE Checked	APPROVE Approved



DESCRIPTION:
 POSTE TELEPHONIQUE EN SAILLIE ETANCHE EN FACE AVANT (IP65) TYPE BCA, COMPOSE D'UNE BOITE EN TOLE EN INOX AVEC PLASTRON AUTOCOLLANT EN POLYESTER SERIGRAPHIE ET CLAVIER INTEGRE. FERMETURE DU POSTE PAR 3 MS MURALES.

- (A) HAUT PARLEUR ETANCHE 5W/50 OHMS CE124V11
- (B) CARTE TELEPHONIQUE WK140MLB
- (C) MICROPHONE ELECTRET CE515V2

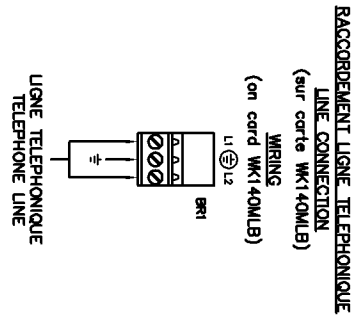
REFERENCE: TLS250S1CLS SCHEMA DE PRINCIPE: SP140MLB



DESCRIPTION:
 AOB TYPE FLUSH MOUNTED TELEPHONE SET WITH WEATHERPROOF FRONT CASE (IP65) AND A STAINLESS STEEL FACE PLATE WITH AN INTEGRATED SELF ADHESIVE KEY BOARD. THE FACE PLATE IS FASTENED BY THREE WALL FIXED SCREWS.

- (A) 5W/50 OHMS LOUDSPEAKER CE124V11
- (B) TELEPHONE BOARD WK140MLB
- (C) ELECTRET MICROPHONE CE515V2

REFERENCE: TLS250S1CLS CIRCUIT DIAGRAM: SP140MLB



CONSTRUCTEUR Manufacturer		LE LAS		34/36 R. Roger SALENGRO F94134 FONTENAY/BOIS	
MATIERE:		EXECUTION:			
POSTE TELEPHONIQUE TYPE SAILLIE MANS LIBRES A CLAVIER POUR SALLE BLANCHE				Echelle 1/2 tirage 40 Plan 250S-ENC tirage disk Planche Rev.	
FLUSH MOUNTED WEATHERPROOF HANDS FREE TELEPHONE WITH KEYBOARD FOR CLEAN ROOM				TLS9250S1CLS	
16/06/04	A	L	F	1ere	EDITION/Initial issue
DATE	REV.	DESIGNER	DR.	MODIFICATIONS	REVISIONS
				VERIFIE	APPROUVE
				Checked	Approved