

COMMUNICATION UNDER HIGH PROTECTION

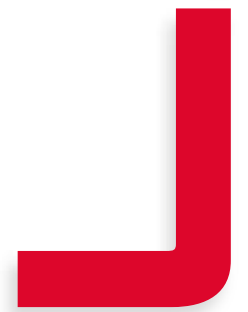
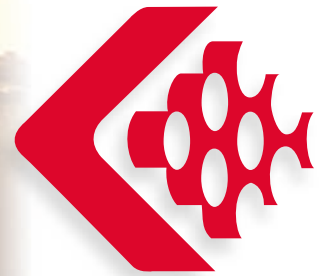
UNIVERSAL

The Public Address and intercom network

These materials are specially designed for operate in the most aggressive conditions: noise, corrosion, bad weather, vandalism ...

The new range of intercoms UNI3G enjoys LELAS experience acquired with these equipment that is now in service on hundreds of sites submitted to extreme conditions all around the world.

These equipment also provide public address of sites through loudspeakers.





THE NEW RANGE UNI3G

- Group Call
- Multi Channel 5 + General Call
- Compatibility with the old network
- Programmable via SD card or remotely
- Remote Diagnostic
- Messages broadcasting unit with USB card
- Contacts Repertory

UNIVERSAL DESIGN

■ Focus on reliability

Microprocessor and **auto commutations** technology integrated in each unit.

Advantages: **Safety** and economy. Lack of central cabinet (except multi-channel option). No risk of overall failure.

The wiring is done **on single bus and / or multiple** star network according to the requirements of each site.

■ Principle

Master stations operate alternately speak / listen allowing **optimum safety**.

■ High sound quality

All communication must be perfectly audible in all circumstances. The power of the **speaker** is optimized and **remotely adjustable** from the master station which allows optimal listening and flawless comfort.

In addition, the power amplification on high impedance line guarantee exceptional sound quality even on **long distances** (up to 20 km).

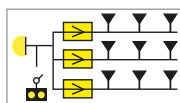
■ Safety and comfort

Substations operate in «**hands-free**» mode which enhances security. The master station works alternating in Half Duplex mode (Push to Talk).

UNIVERSAL CONFIGURATION

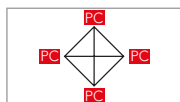
■ Star-type Network

Including a Master Unit
Possibility of a second Master station in call forwarding or transfer.
Star type network comprising up to 9 or 99 secondary Stations.



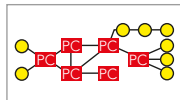
■ Intercom type Network

Up to 9 or 99
Master Station «multidirectional»



■ Mesh type Network

Mixed network: star type and intercom



LE LAS - 34-36, rue Roger Salengro - 94134 FONTENAY-SOUS-BOIS CEDEX - FRANCE
Tél. : (33) 01 48 76 62 62 - Fax : (33) 01 48 76 83 04 - E-mail : lelas@lelas.fr

UNIVERSAL INSTALLATION

Simple and very flexible installation is independent of the configuration.

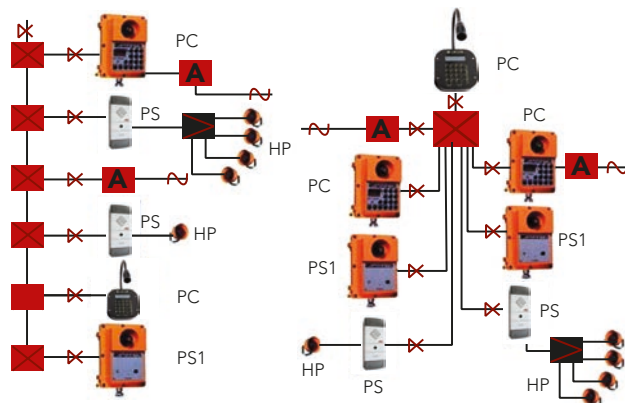
■ Two installation modes are available:

Bus wiring

Connecting stations in parallel, on bus one or two pairs cable.

Star wiring

Connecting each station in a one or two pairs by a cable. Central junction box allows easy installation in bus, star, or mix of both solutions.



■ Features / power supply

Power supply of 24 DC, 48 DC or 230 AC. installation possible on existing low current cable networks or optical fiber.

■ Options

- Extension of sound and light call (contact us).
- Extension of power by amplifier or loudspeaker.
- Remote relay (type latch).
- Remote monitoring.
- Connection to central amplification towards radio network etc...
- Optical Fiber Converter

■ Choice of materials

Office station, flush mounted, waterproof, ATEX, anti-vandal explosion proof, cleanroom.
Power: 1 W, 5 W or 15 W

