

COMMUNICATION HIGH SECURITY AND PROTECTION



SINCE 1909

LELAS

LELAS

LELAS

LELAS

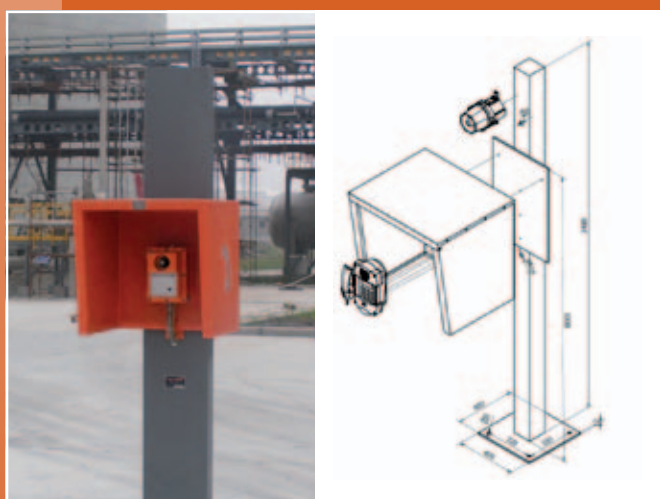


LELAS solution, for industrial, noisy and harsh environments.

In an industrial complex equipped with explosion-proof or waterproof phone, a loud noise (e.g. machinery) can make difficult or even impossible to have conversations.

That is why LELAS offers a range of acoustic booths to overcome this constraint. This solution also helps to strengthen the privacy and to protect the equipment against harsh weather and dust.

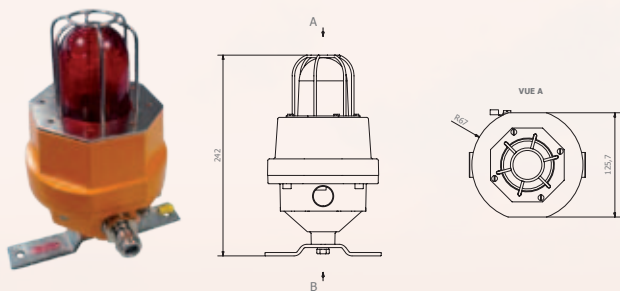
LELAS also offers a support column specially adapted to our hoods with optional mounting signaling / sounding. (See overleaf)



Type	Material	Sound attenuation in dB	Color	Weight in Kg
CBA255	(GRP)	-10	RAL2003 (ORANGE)*	15
CBA234	GRP + Rockwool	-25	RAL2003 (ORANGE)*	23
CBA240	Stainless steel + Rockwool	-25	Stainless steel *	37
MS915A19	Painted Steel	-	RAL2003 (orange)*	90

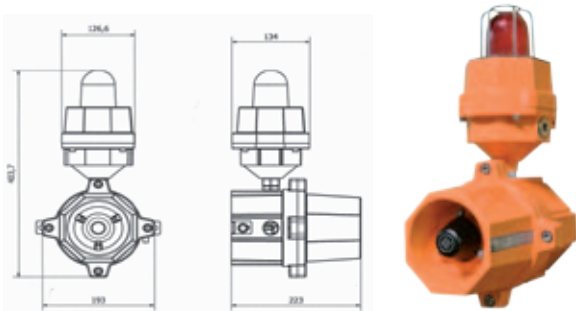
* Other color available in option





Flashing beacons 5, 15 or 21 joules. Electronics and xenon lamp fully integrated and protected in a box. (LED version also available)

FEF	
Input voltage	110/220CA
Power (Joules)	5/15/21
Consumption (VA)	5/15/21



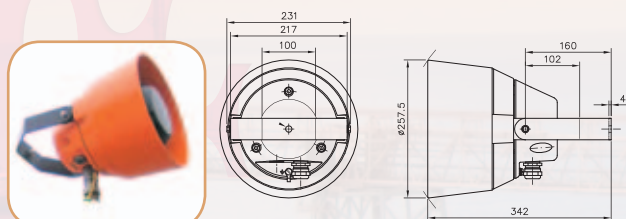
Assembly of howler and flashing beacon for an optimum performance. And a simplified installation.

SGV	
Input voltage	110/220CA
Power (Joules)	5/15/21
Sound power (dB)	110
Consumption (VA)	15/25/31

LE LAS

RED	
Puissance en Watts	15
Sound power (dB)	110
Consumption	15VA
Input signal	15 Ohms
	amplified 24/48V
	100V

Today the LELAS loudspeakers ensure sound communication of many exposed locations in the world. They have been developed to LELAS image products: specifically designed to work flawlessly in harsh industrial environments.



KLM	
Input voltage	24/48CC
	110/220CA
Sound power (dB)	110
Consumption (VA)	10

Howler equipped with an electronic power board feeding a driver unit. Adjustable volume control 1 or 2 tones signals (Single tone high-pitched/low-pitched, dual tones high-pitched/low-pitched and melody) including evacuation AFNOR signals.

