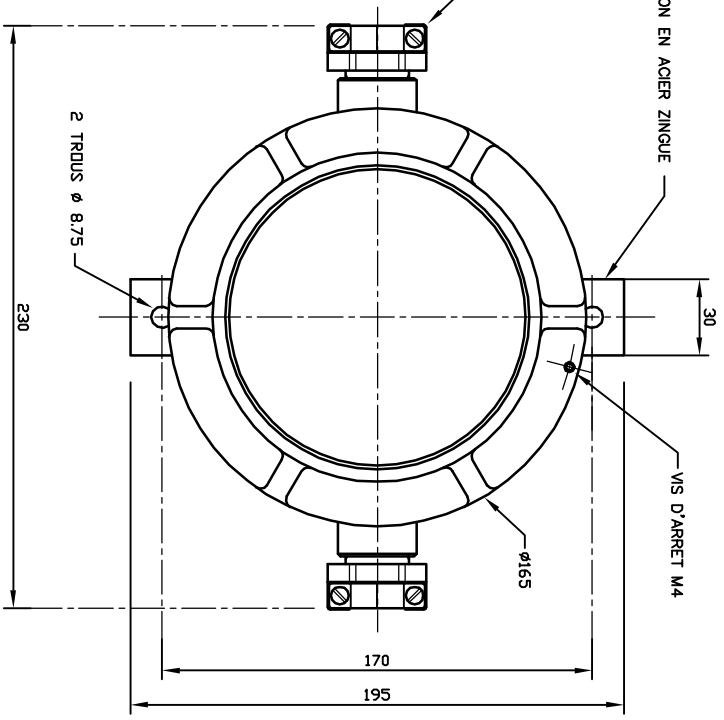


VS HM8-15
RONDELE AZ
EN ACIER ZINGUE

2 ENTREES DE CABLE REF: EGM8ATX
POUR CABLE Ø 2 MINI ø 12 MAXI

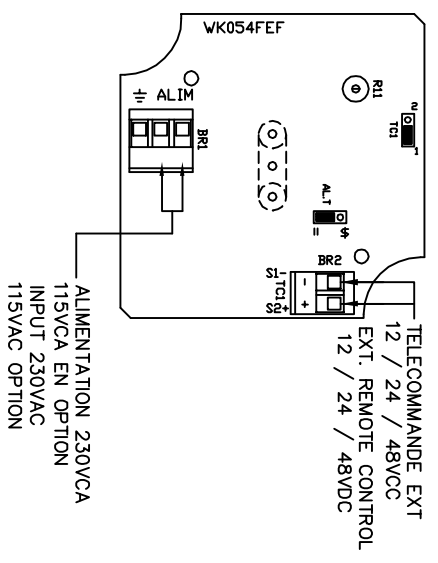
PATTE DE FIXATION EN ACIER ZINGUE



VIS D'ARRET M4

RACCORDEMENT

CARTE ALIM AVEC LAMPE FEU FLASH REF: WK054FEF
POWER PCB + LAMP



TELECOMMANDE EXT
12 / 24 / 48VCC
EXT. REMOTE CONTROL
12 / 24 / 48VDC

ALIMENTATION 230VCA
115VCA EN OPTION
INPUT 230VAC
115VAC OPTION

REV/NO	A	1	F	REV. DIMENSION/PIECE	REV. DIMENSION/PIECE	REV. DIMENSION/PIECE	REV. DIMENSION/PIECE
REV/NO	A	1	F	REV. DIMENSION/PIECE	REV. DIMENSION/PIECE	REV. DIMENSION/PIECE	REV. DIMENSION/PIECE
REV/NO	A	1	F	REV. DIMENSION/PIECE	REV. DIMENSION/PIECE	REV. DIMENSION/PIECE	REV. DIMENSION/PIECE

CONSTRUCTEUR	Manufacturer	Manufacturer
MATIERE	Material	Material
FEU FLASH 15 JOULES	Flash Fire 15 Joules	Flash Fire 15 Joules
EEXdICT6 - IP66 - II2GD	EEXdICT6 - IP66 - II2GD	EEXdICT6 - IP66 - II2GD
230V+T - 2 EGM8	230V+T - 2 EGM8	230V+T - 2 EGM8
FEF9232A15CA8T	FEF9232A15CA8T	FEF9232A15CA8T

CERTIFICATION:	Ex II 2G EExd IIC T6 IP66
MATIERE	Fonte d'Aluminium
COULEUR	RAL 2003
ALIMENTATION	230Vca
CONSOMMATION	20mA
LAMPE	XENOX 15 Joules
Poids	4,5 Kg

LAS 34/36 R Roger SALENGR 19434 FEMITIM/2015

EXECUTION

REV.