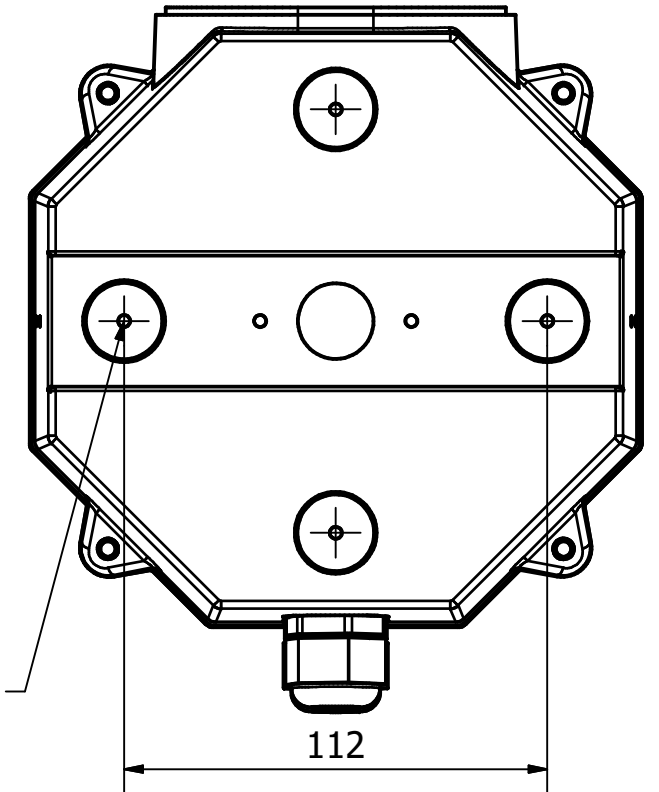
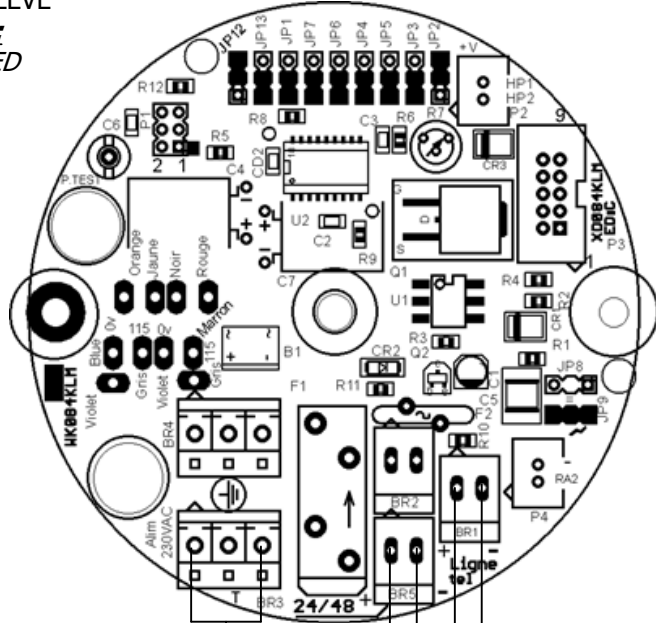


FIXATION INTERIEUR PAR 2 VIS M6
PERCER A 6.5MM (MAX)
INTERIOR FIXATION BY 2 SCREWS M6
DRILLING AT 6.5MM (MAX)



RACCORDEMENT:
COUVERCLE ENLEVE
CONNECTION:
COVER REMOVED

WK084KLM-CA8



BR3 ALIMENTATION 230VCA
INPUT 230VAC

BR5 ALIMENTATION 24/48VCC
INPUT 24/48VCC

BR1 COURANT D'APPEL TELEPHONIQUE
TELEPHONE RING CURRENT

DESCRIPTION:

BOITIER EN POLYCARBONATE 20% FIBRE DE VERRE ORANGE
FERMETURE DU COUVERCLE PAR 4 VIS DE SECURITE EN ACIER INOXYDABLE Ø5 A 6 PANS CREUX.
MOTEUR ELECTRO-DYNAMIQUE A CHAMBRE DE COMPRESSION 15 WATTS REF: CE 225V7.
CARTE WK084KLM-CA8
RACCORDEMENT SUR BORNES A VISSER.
ENTREES DE CABLE (VOIR NOTA).
POIDS NET: 2.8KG.

DESCRIPTION:

CASE POLYCARBONATE 20% FIBERGLASS ORANGE.
COVER FIXED BY 4 STAINLESS-STEEL Ø5 HEXAGONAL BOLTS.
ELECTRO-DYNAMIC MOTOR WITH COMPRESSION CHAMBER 15 WATTS REF: CE225V7.
CARD WK084KLM-CA8
CONNECTION ON SCREW TERMINAL BLOCKS.
CABLE ENTRIES (SEE NOTA).
WEIGHT: 2.8KG.

NOTA: POSTE FOURNI AVEC UNE POCHETTE COMPRENANT:
- 1 GM208A23 COMPRENANT:

- 2 ENTREES DE CABLE PEP13C5*12 POUR CABLE Ø5MIN A Ø12MAX
- 2 RONDELLES ETANCHE RDC-PG13
- 2 ECROU ECN13
- 1 BOUCHON OBTURATEUR ENTREE BFO34DP8
- 4 BOUCHONS D'ETANCHEITE 229A104DP4 POUR ETANCHEITE FIXATION MURAL

NOTA: STATION IS DELIVRED WITH BAG WHO INCLUDES:

- 1 GM208A23 INCLUDING:
- 2 CABLE INPUTS PEP13C5 * 12 FOR CABLE Ø5MIN TO Ø12MAX
- 2 WASHERS WATERPROOF RDC-PG 13
- 2 NUT ECN 13 1 SHUTTER CAP INPUT BFO34DP8
- 4 SEAL CAPS 229A104DP4 FOR WATERPROOFING WALL MOUNTING

DATES	REV.	ETABLI	MODIFICATIONS	VERIFIE	APPROUVE
Dates	Rev.	Prepared	Revisions	Checked	Approved
14/09/17	A	RS	1ère EMISSION/Initial issue	AB	MR

CONSTRUCTEUR Manufacturer	Groupe LE LAS			34-36 Rue Roger SALENGRO F94134 FONTENAY/BOIS	
MATIERE: Material	EXECUTION:				
HURLEUR 6TONS ETANCHE 24-48 / 230VCA IP66 IK08 1 OU 2ENTREES			ECH/Scale 1:2	CARTER 407E	TYPE IDW
					FOLIO 1/1
					REV. A
					KLM407E2CC/CA